

Soffianti a canali laterali GK902S Side channel blowers GK902S

General Europe Vacuum S.r.l.
Via del Commercio, 9 - 20090 Buccinasco (MI) - Italy
Tel. +39 02.48.84.11.20 - e-mail: info@gevac.com - www.gevac.com



GENERAL EUROPE VACUUM S.r.l.
Tecnologie Del Vuoto

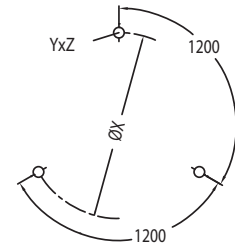
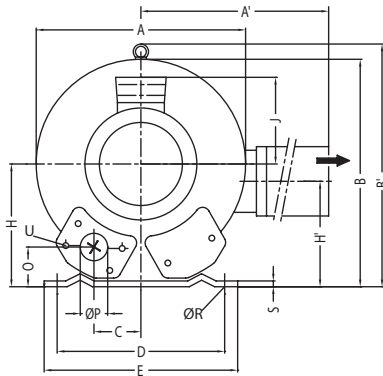
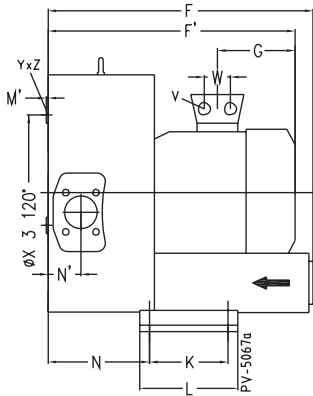


Le soffianti a canali laterali sono caratterizzate da affidabilità e bassi costi di esercizio. Risultano silenziose, presentano compressione senza olio e senza pulsazione. Possono essere impiegate in pressione o in depressione per esercizio in continuo.

Reliable, low running costs and noiseless side channels blowers running in compressions without oil and pulsation.

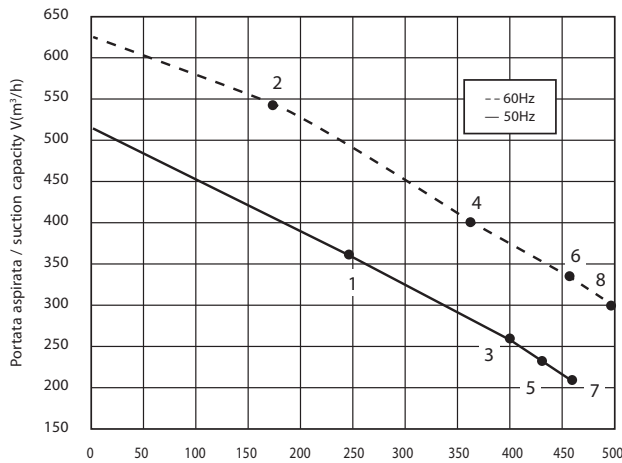
Running both in pressure or suction in steady running cycle.

Dimensioni/Dimensions - mm



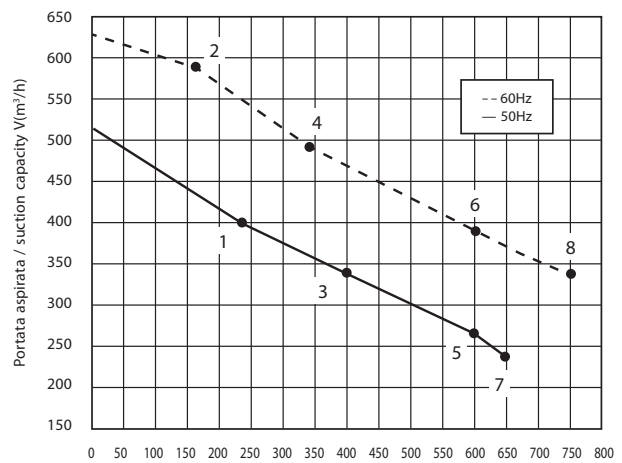
	Phase Fase	A	A'	B	B'	C	D	E	F	F'	G	H	H'	J	K	L	M	N	N'	O	ØP	ØR	S	V	W	ØX	YxZ	X-holes X-fori
GK902SGEV5.5T	3~	500	549	490	509	76	356	394	545	589	226	240	199	167	170	217	-	236	84	65	G2 ¹ / ₂	15	6	4xM32x1.5	42	286	M12x20	51.4°/120°/240°
GK902SGEV7.5T	3~	500	549	490	509	76	356	394	545	589	226	240	199	167	170	217	-	236	84	65	G2 ¹ / ₂	15	6	4xM32x1.5	42	286	M12x20	51.4°/120°/240°
GK902SGEV11T	3~	500	549	490	509	76	356	394	545	694	318	240	199	197	170	217	-	212	84	105	G2 ¹ / ₂	15	6	4xM40x1.5	54	286	M12x20	51.4°/120°/240°
GK902SGEV15T	3~	500	549	490	509	76	356	394	545	694	318	240	199	197	170	217	-	212	84	105	G2 ¹ / ₂	15	6	4xM40x1.5	54	286	M12x20	51.4°/120°/240°

ASPIRAZIONE / EXHAUST



Depressione / inlet vacuum (mbar rel.)

COMPRESSIONE / OMPRESSION



Pressione / pressure (mbar rel.)

Tolleranza curve +/- 10%. I dati indicati possono essere variati senza preavviso.
Tolerance of +/- 10%. The data may change without any notification.

Curve Curva n.	Model Modello n.	Frequency Frequenza (Hz)	Output power Potenza (kW)	Voltage Voltaggio (V)	Rated current Assorbimento (A)	Noise Rumorosità dB (A)	Weight Peso (Kg)
1	GK902SGEV5.5T	50	5,5	345-415Δ/600-720Y	13,3Δ/7,7Y	74	83
2	GK902SGEV5.5T	60	6,3	380-480Δ/660-720Y	13,3Δ/7,7Y	78	83
3	GK902SGEV7.5T	50	7,5	345-415Δ/600-720Y	16,7Δ/9,6Y	74	86
4	GK902SGEV7.5T	60	8,6	380-480Δ/660-720Y	17,3Δ/10,0Y	78	86
5	GK902SGEV11T	50	11,0	345-415Δ/600-720Y	28,0Δ/16,2Y	74	104
6	GK902SGEV11T	60	12,6	380-480Δ/660-720Y	29,0Δ/16,7Y	78	104
7	GK902SGEV15T	50	15,0	345-415Δ/600-720Y	32,5Δ/18,8Y	74	120
8	GK902SGEV15T	60	17,3	380-480Δ/660-720Y	34,5Δ/19,9Y	78	120