

Technical Characteristics

- Aluminum alloy construction
- Smooth operation
- Maintenance free
- Max Flow:
 - 2000 m³/h @ 50 Hz
 - 2400 m³/h @ 60 Hz
- Max Pressure: 350 mbar
- Max Vacuum: -300 mbar (rel)

Electric Motor

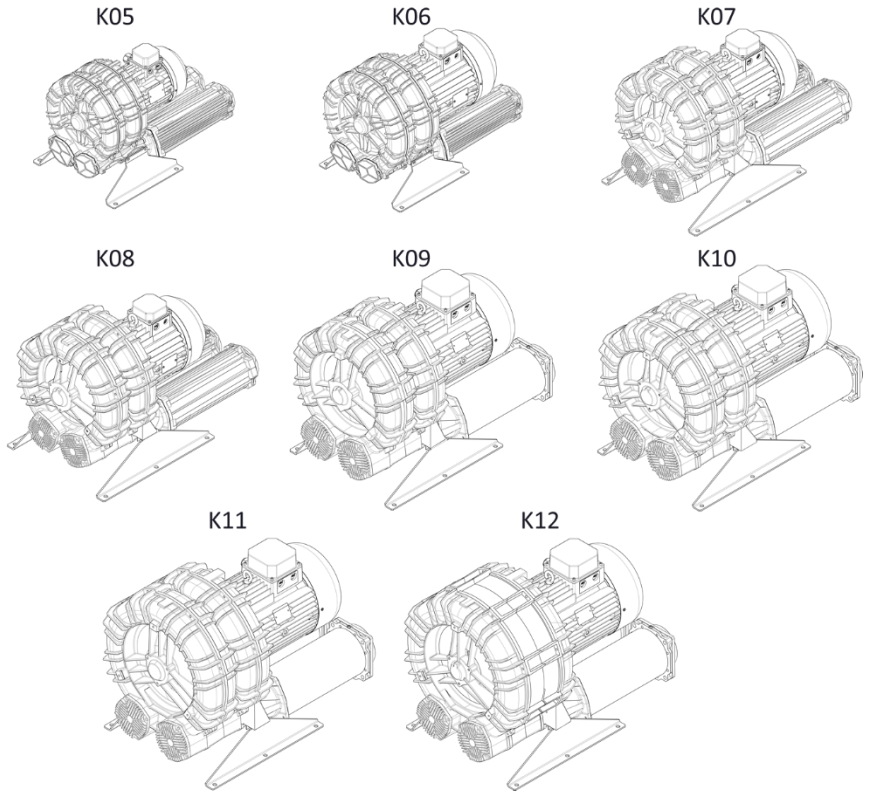
- High Efficiency: IE2
- Power: 3.0 - 22 kW
- Motors with IP 55 protection rating
- Class F insulation, suitable for inverter (refer to FPZ)
- Thermal Protector (PTO) as standard
- Wide Range Supply Voltage

~3	[V] (Δ / Y)		[Hz]
	<= 4 kW	> 4 kW	
IE2	230 / 400	400 / 690	50
	265 / 460	460 / 795	60
Wide Range	200 – 240 / 345 – 415	345 – 415 / 600 – 720	50
	220 – 280 / 380 – 480	380 – 480 / 660 – 830	60

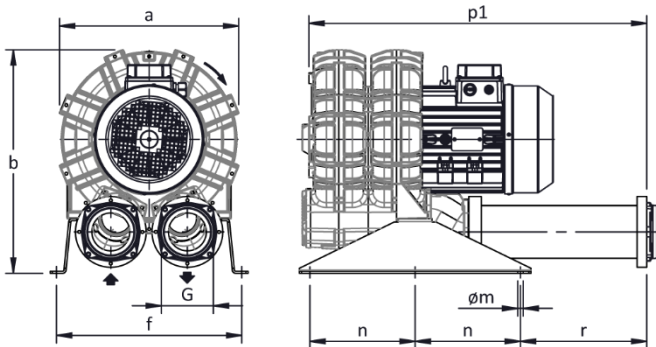
Tolerance on the fixed voltage value ± 10%, in range ± 5%.
IE2 only at 50 Hz

Options

- Special voltages (IEC 60038)
- Surface treatments
- Increased seal version



Dimensions



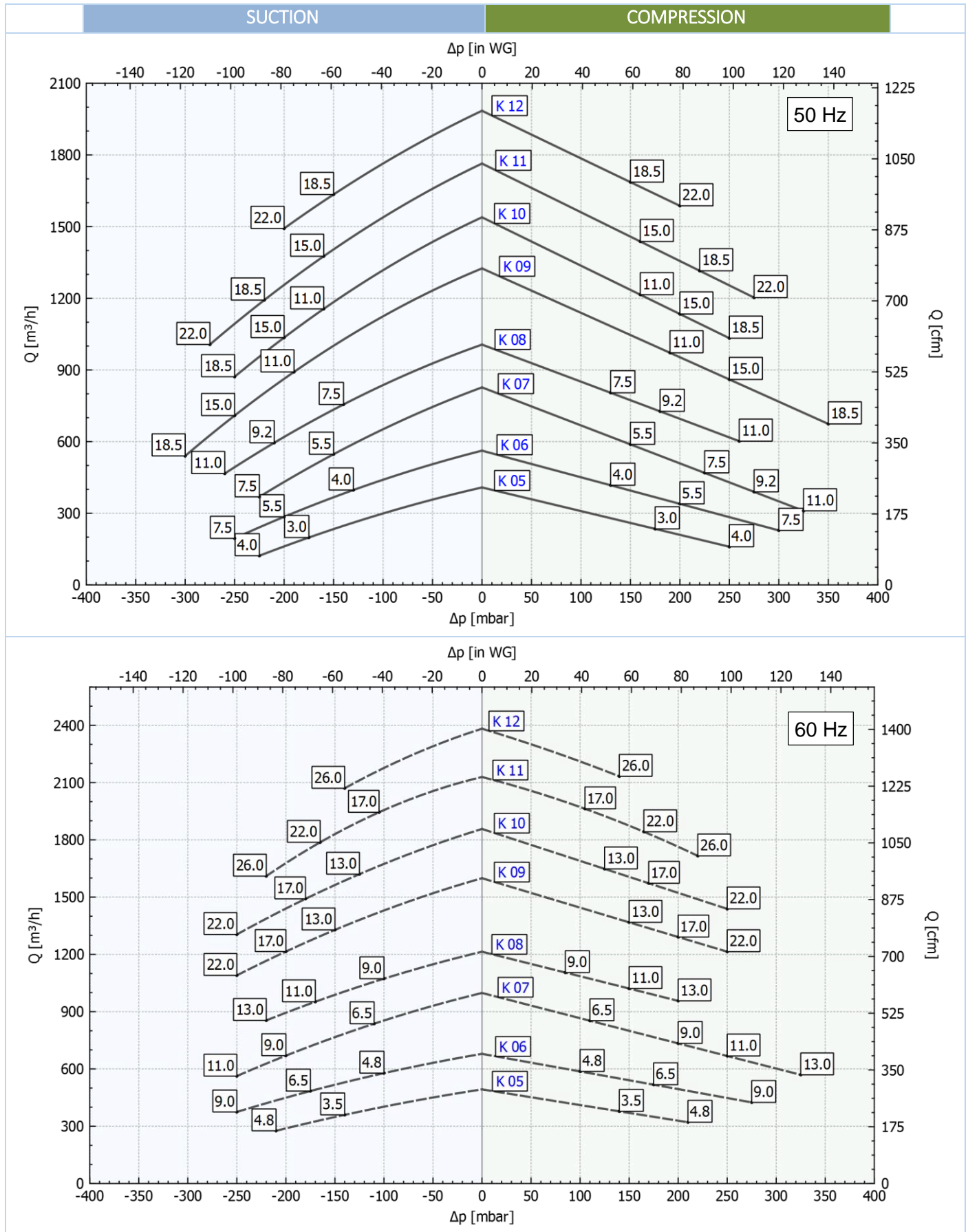
Model	a	b	f	G	m	n	p1	r
K05-TS	327	422	374	G 3"	13	150	634	328
K06-TS	376	455	374	G 3"	13	150	662	335
K07-TS	424	531	438	G 4"	13	250	802	299
K08-TS	457	548	448	G 4"	13	250	802	299
K09-TS	492	610	478	G 5"	13	250	850	315
K10-TS	516	623	478	G 5"	13	250	850	315
K11-TS	542	650	508	G 5"	13	250	870	320
K12-TS	548	653	508	G 5"	13	250	883	320

Dimensions in mm – NOT Binding

INSTALLATION

- For proper operation of the machine, it must be provided with a suction FILTER and a vacuum/pressure limiting VALVE
- Other accessories are available on request
- Permissible ambient and fluid temperature in suction from -15 °C to +40 °C
- Read the instruction manual carefully before installing the machine.

Performance



Tolerance on indicated values $\pm 10\%$.
 Data subject to change without notice.
 Curves referring to air at a temperature of 20 °C and atmospheric pressure of 1013 mbar (abs.).