

### Technical Characteristics

- Aluminum alloy construction
- Smooth operation
- Maintenance free
- Max Flow:
  - 1000 m<sup>3</sup>/h @ 50 Hz
  - 1200 m<sup>3</sup>/h @ 60 Hz
- Max Pressure: 650 mbar
- Max Vacuum: -475 mbar (rel)

### Electric Motor

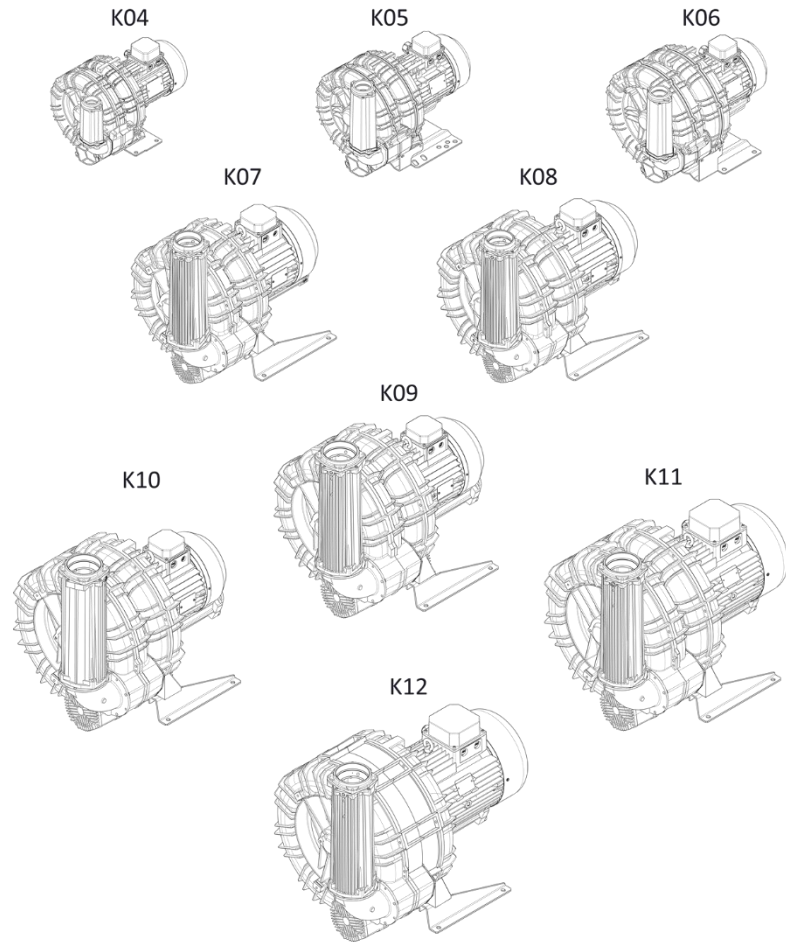
- High Efficiency: IE2
- Power: 2.2 - 22 kW
- Motors with IP 55 protection rating
- Class F insulation, suitable for inverter (refer to FPZ)
- Thermal Protector (PTO) as standard
- Wide Range Supply Voltage

~3	[V] (Δ / Y)		[Hz]
	<= 4 kW	> 4 kW	
IE2	230 / 400	400 / 690	50
	265 / 460	460 / 795	60
Wide Range	200 – 240 / 345 – 415	345 – 415 / 600 - 720	50
	220 – 280 / 380 - 480	380 – 480 / 660 - 830	60

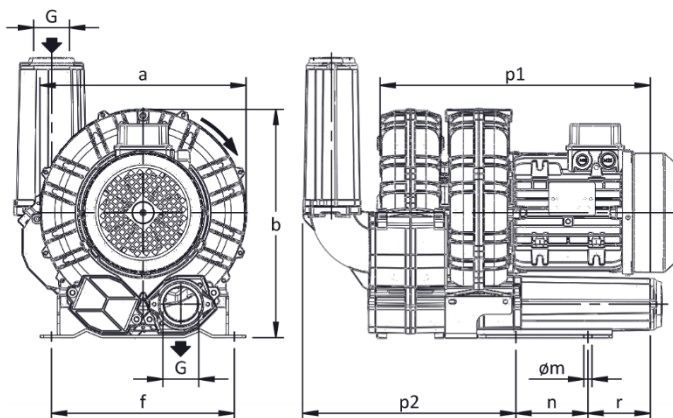
Tolerance on the fixed voltage value ± 10%, in range ± 5%.  
IE2 only at 50 Hz

### Options

- Special voltages (IEC 60038)
- Surface treatments
- Increased seal version



### Dimensions



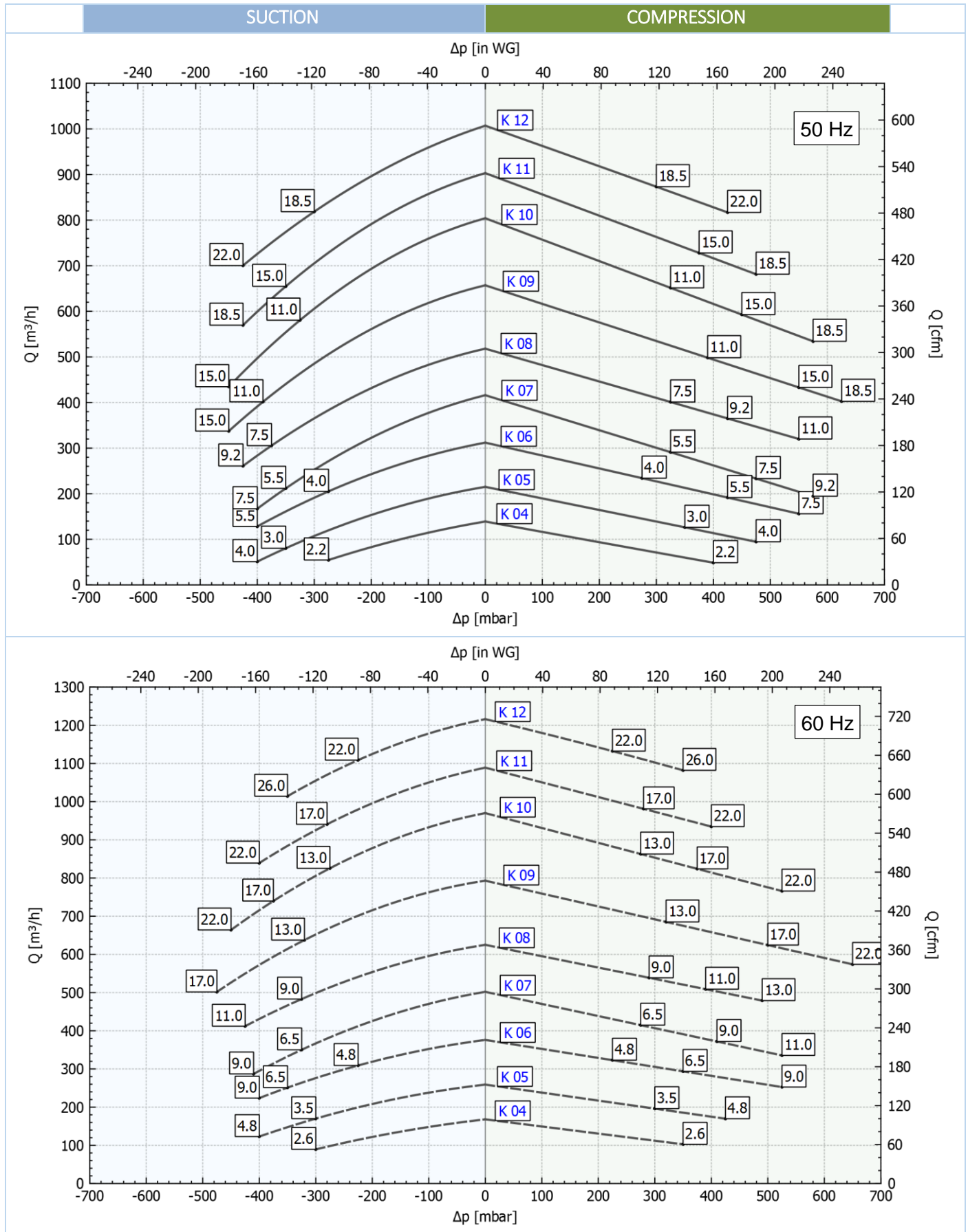
Model	a	b	f	G	m	n	p1	p2	r
<b>K04-TD</b>	285	315	225	G 1" 1/2	12	95	316	254	70
<b>K05-TD</b>	327	365	260	G 2"	15	115	428	340	98
<b>K06-TD</b>	376	420	290	G 2"	15	140	508	354	136
<b>K07-TD</b>	424	481	438	G 3"	13	300	650	392	137
<b>K08-TD</b>	457	498	448	G 3"	13	300	650	392	137
<b>K09-TD</b>	492	561	478	G 4"	13	300	745	455	199
<b>K10-TD</b>	516	573	478	G 4"	13	300	745	455	199
<b>K11-TD</b>	542	603	508	G 4"	13	300	765	470	204
<b>K12-TD</b>	548	606	508	G 4"	13	300	768	483	204

Dimensions in mm – NOT Binding

### INSTALLATION

- For proper operation of the machine, it must be provided with a suction FILTER and a vacuum/pressure limiting VALVE
- Other accessories are available on request
- Permissible ambient and fluid temperature in suction from -15 °C to +40 °C
- Read the instruction manual carefully before installing the machine.

**Performance**



Tolerance on indicated values  $\pm 10\%$ .  
 Data subject to change without notice.  
 Curves referring to air at a temperature of 20 °C and atmospheric pressure of 1013 mbar (abs.).